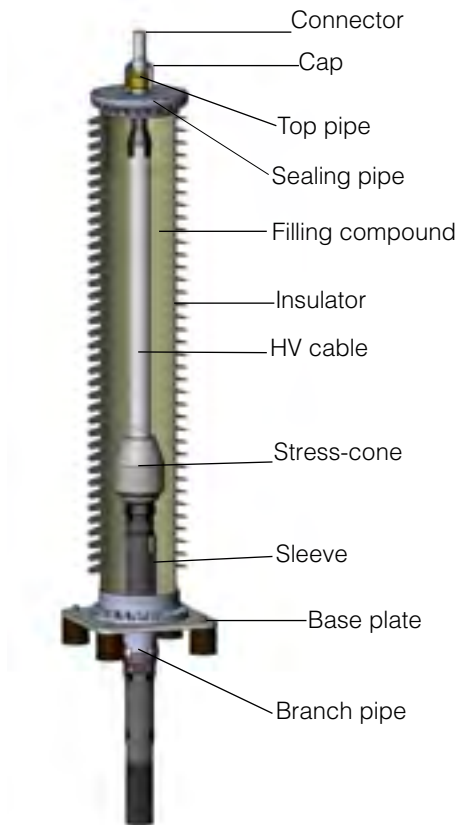


Outdoor terminations MKB 72,5, MKB 126, MKB 145, MKB 170, MKB 252

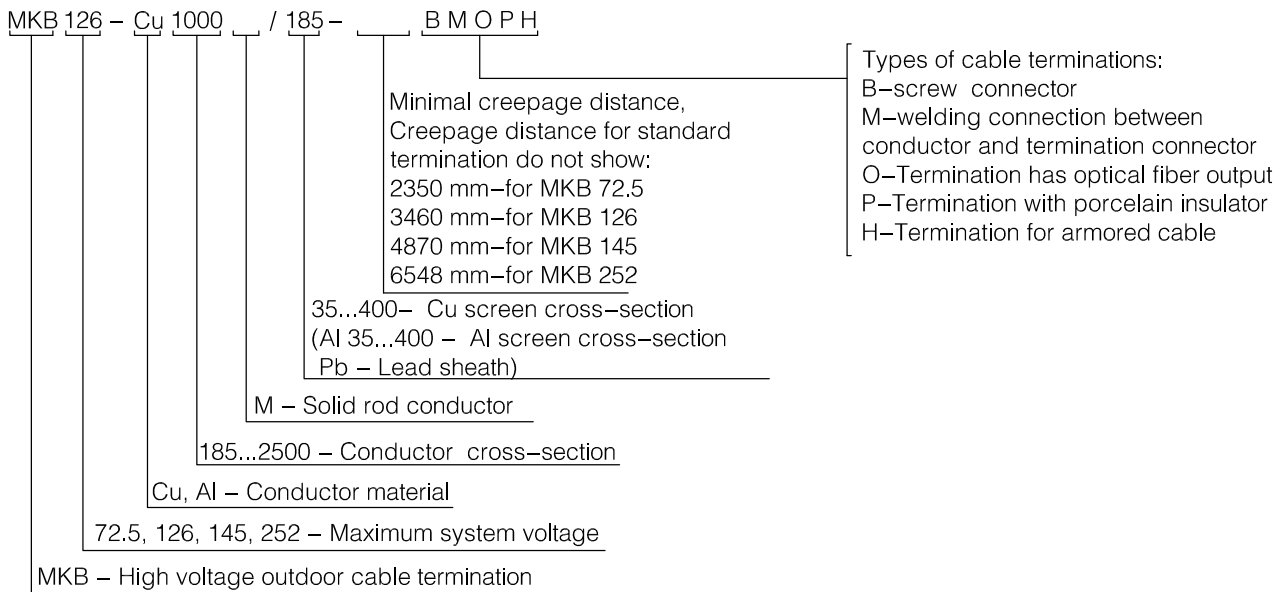
Arkasil terminations 72-252 kV with composite type or porcelain insulator are used for cable lines connection with power-supply systems. Terminations are used for outdoor and indoor installation for XLPE cables 36/60, 64/110, 76/132, 87/150 kV, 127/220 kV (conductor cross-section 95-2500 mm²). Terminations can be installed on XLPE cable with optical fibers (OF) in the screen which are used for temperature monitoring.

Main parts

- composite type insulator with glass fiber, reinforced epoxy resin tube and silicone rubber sheds, the color of sheds - light gray; top and bottom flanges glued and sealed to the composite insulator. Porcelain insulator as an option.
- pre-molded and factory-tested silicone stress cone;
- base plate;
- branch pipe with flange;
- supporting insulators;
- seals and fixing materials;
- polybutene as an insulating compound;
- optical fiber output for connection to equipment (option).



Marking of high-voltage cable terminations



Area of application

Type		MKB 72,5	MKB 126	MKB 145	MKB 170	MKB 252
Phase voltage	kV	36	64	76	87	127
Line voltage	kV	60	110	132	150	220
Maximum system voltage	kV	72,5	126	145	170	252
Cable conductor cross-section range	mm ²	95 ÷ 1600	185 ÷ 2000	185 ÷ 2500	185 ÷ 2500	400 ÷ 2500
Maximum cable sheath diameter	mm	115	130	130	130	130
Maximum cable insulation diameter	mm	75	93	93	95	110

Installation options	MKB 72,5	MKB 126	MKB 145	MKB 170	MKB 252
On framework	+	+	+	+	+
On tower of overhead line	+	+	+	+	+
Max angle to vertical	45°	45°	45°	30°	30°

Installation can be simplified by assembling the termination horizontally on the ground before lifting it into place.

Technical data

Electrical parameters	MKB 72,5	MKB 126	MKB 145	MKB 170	MKB 252
AC voltage withstand test	90 kV for 30 min	160 kV for 30 min	190 kV for 30 min	218 kV for 30 min	318 kV for 30 min
Partial discharges	<5 pC at 54 kV	<5 pC at 96 kV	<5 pC at 114 kV	<5 pC at 131 kV	<5 pC at 190 kV
Impulse voltage (10+/10- impulses)	325 kV	550 kV	650 kV	750 kV	1050 kV

Climatic characteristics	MKB 72,5	MKB 126	MKB 145	MKB 170	MKB 252
Operation temperature	-45/+50°C	-45/+50°C	-45/+50°C	-45/+50°C	-45/+50°C

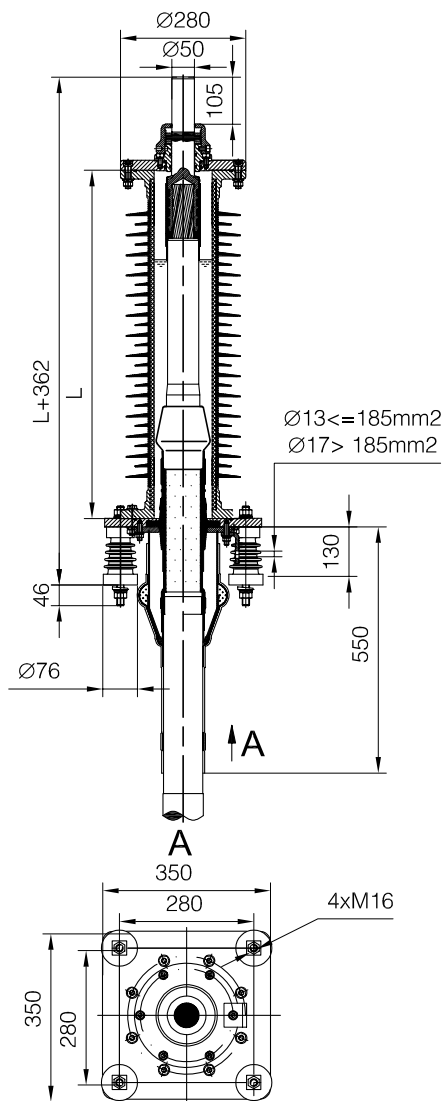
Nominal operating current

Limited by cable specification

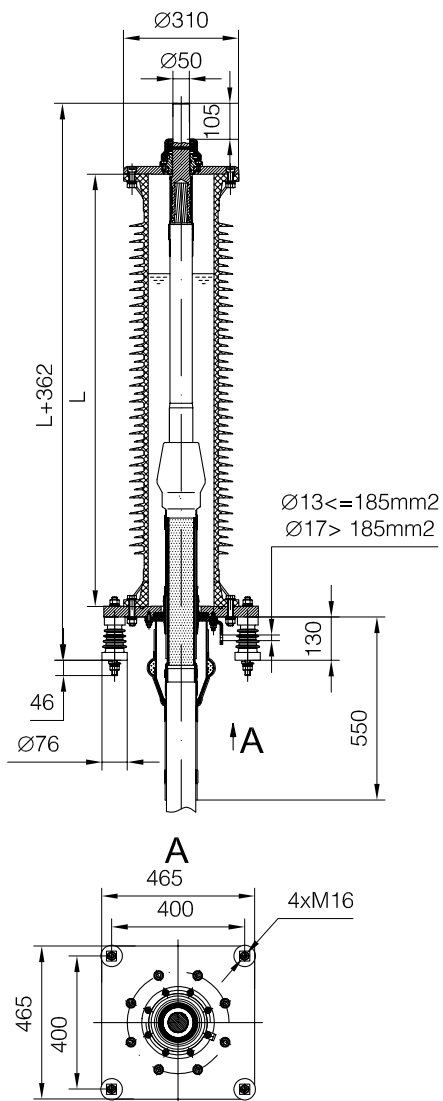
Stress cone routine tests	MKB 72,5	MKB 126	MKB 145	MKB 170	MKB 252
AC voltage withstand test	90 kV for 30 min	160 kV for 30 min	190 kV for 30 min	218 kV for 30 min	318 kV for 30 min
Partial discharges	<5pC at 54 kV	<5pC at 96 kV	<5pC at 114 kV	<5 pC at 131 kV	<5pC at 190 kV

Technical parametrs		MKB 72,5		MKB 126		MKB 145		MKB 170		MKB 252							
Hollow insulator type		comp.	porc.	comp.	porc.	comp.	porc.	comp.	porc.	composit	porc.						
Termination length (L)	mm	770	778	1240	1240	1280	1280	1365	1390	1450	1552	1590	1640	2400	2400	2300	2300
Creepage distance	mm	2350	3695	3460	4025	3200	3905	3870	4605	4495	4480	5370	5270	6548	8163	6300	7812
Pollution level in accordance with IEC 60815		IV	IV	III	IV	III	IV	III	IV	IV	III	IV	IV	III	IV	III	IV
Volume of compound	l	6	6	28	28	30	30	31	32	35	36	37	40	147	147	150	150
Net weight	kg	50	98	115	117	332	362	121	124	362	130	153	690	306	313	690	770
Maximum allowed load on top connector	kN	4	4	3,5	3,5	2,8	2,8	3,2	3,2	2,8	2,7	2,2	5	5	5	5	5

MKB 72,5



MKB 126 / 145 / 170



MKB 252

