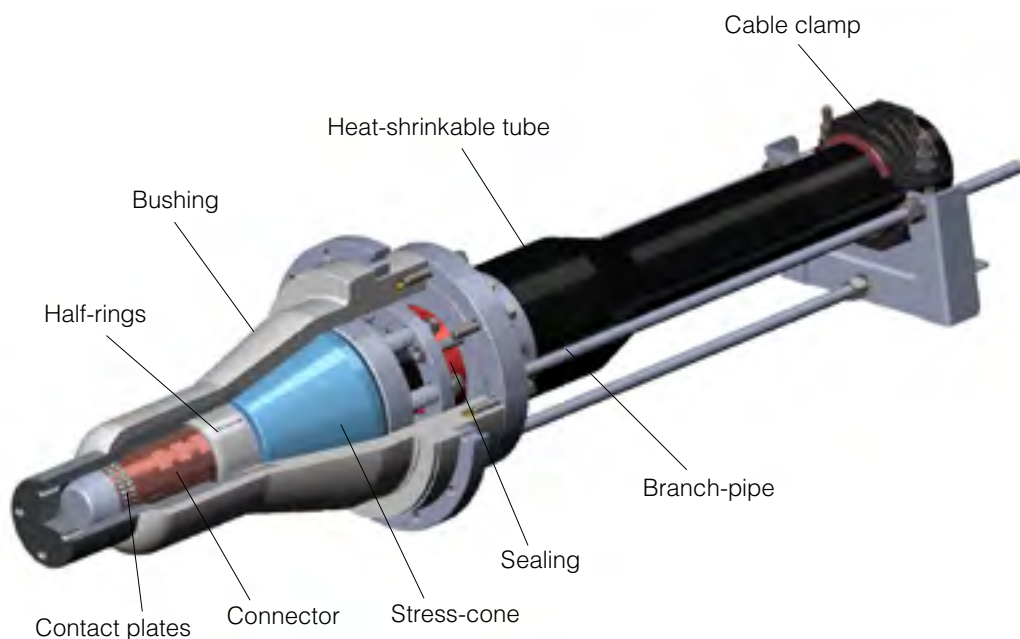


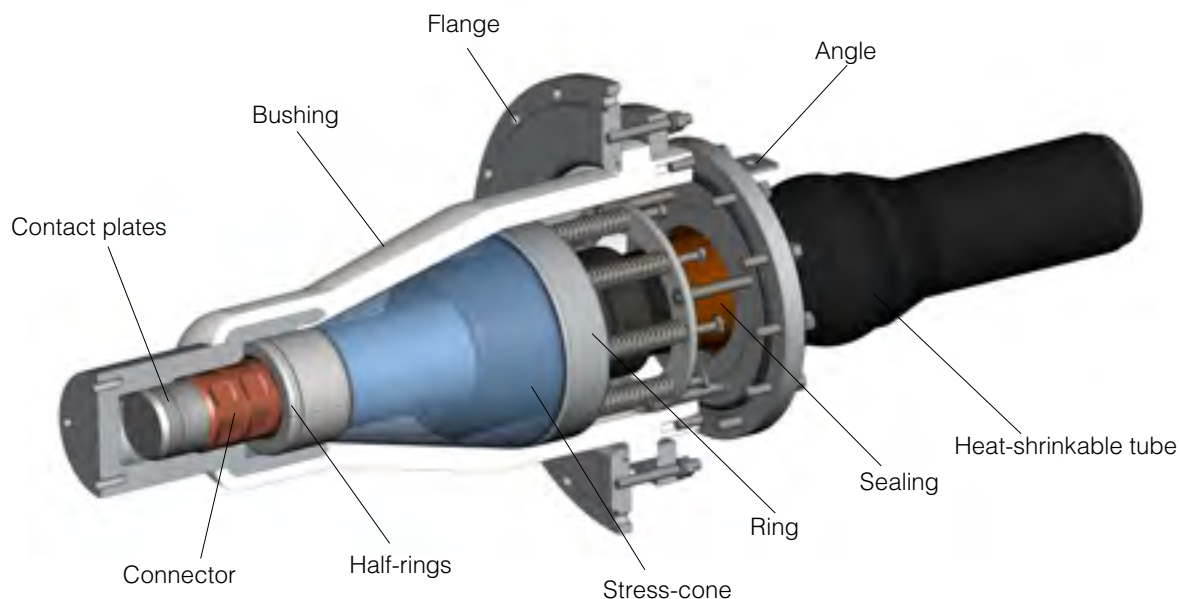
GIS terminations **MBB 126 / 145 / 170 / 252**

Arkasil GIS terminations are used for cable lines connection to gas-insulated switchgears and transformers. MBB 126/145/170/252 are used for indoor installation for XLPE cables 64/110, 76/132, 87/150, 127/220 kV (conductor cross-section 185-2500 mm²). GIS terminations could be produced for XLPE cable with optical fibers in screen which are used for temperature monitoring. All types of GIS terminations are made in accordance with IEC 62271-209 and could be used with switchgears for dry type and oil filled GIS terminations. GIS termination consists of epoxy insulator and plug-in part. Due to such design cable it can be disconnected from the GIS and connected again without SF6 or oil evacuation. The epoxy insulator can be delivered with GIS (epoxy insulator installed in switchgear by the manufacturer).

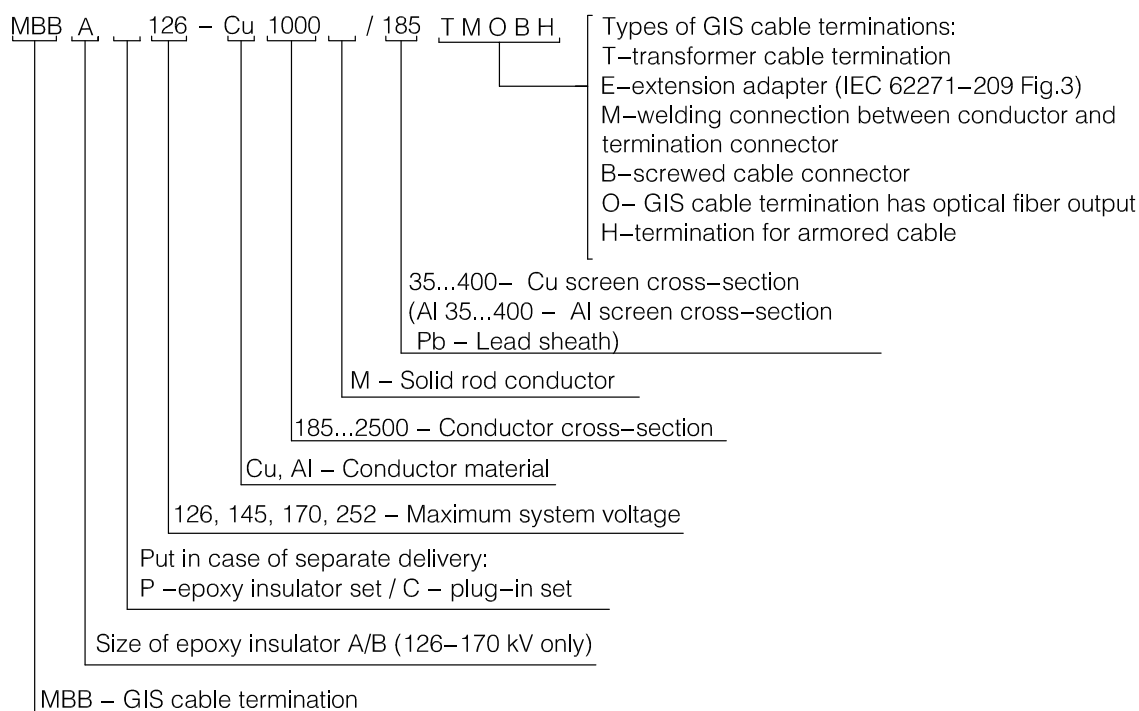
MBB 126 / 145 / 170



MBB 252



Marking of GIS termination MBB



Area of application

Type		MBB 126	MBB 145	MBB 170
Maximum system voltage	κV	126	145	170
		MBB A 126	MBB A 145	MBB A 170
Maximum cable diameter	mm	125	125	125
Cable conductor cross-section range	mm ²	185÷1600	185÷1600	185÷1600
Cable insulation diameter	mm	47÷84	47÷84	47÷84
		MBB B 126	MBB B 145	MBB B 170
Maximum cable diameter	mm	125	125	125
Cable conductor cross-section range	mm ²	400÷2500	400÷2500	400÷2500
Cable insulation diameter	mm	55÷103	55÷103	55÷103

Type

MBB 252

Maximum system voltage	kV	252
Maximum cable diameter	mm	125
Cable conductor cross-section range	mm ²	400÷2500
Cable insulation diameter	mm	65÷112

Technical data

Electrical parameters

MBB 126

MBB 145

MBB 170

MBB 252

Maximum system voltage	126 kV	145 kV	170 kV	252 kV
AC voltage withstand test	160 kV for 30 min	190 kV for 30 min	218 kV for 30 min	318 kV for 30 min
Impulse voltage (10+/10- impulses)	550 kV	650 kV	750 kV	1050 kV
Partial discharges	<5 pC at 96 kV	<5 pC at 114 kV	<5 pC at 131 kV	<5 pC at 190 kV

Climatic characteristics

Operation temperature	-25 +50°C	-25 +50°C	-25 +50°C	-25 +50°C
-----------------------	-----------	-----------	-----------	-----------

Current load rating

Rated operational current	limited by cable specification
Short circuit current	limited by cable specification

Stress cone routine tests

MBB 126

MBB 145

MBB 170

MBB 252

Stress cone	126 kV	145 kV	170 kV	252 kV
AC voltage withstand test	160 kV for 30 min	190 kV for 30 min	218 kV for 30 min	318 kV for 30 min
Partial discharges	<5 pC at 96 kV	<5 pC at 114 kV	<5 pC at 131 kV	<5 pC at 190 kV

Mechanical characteristics

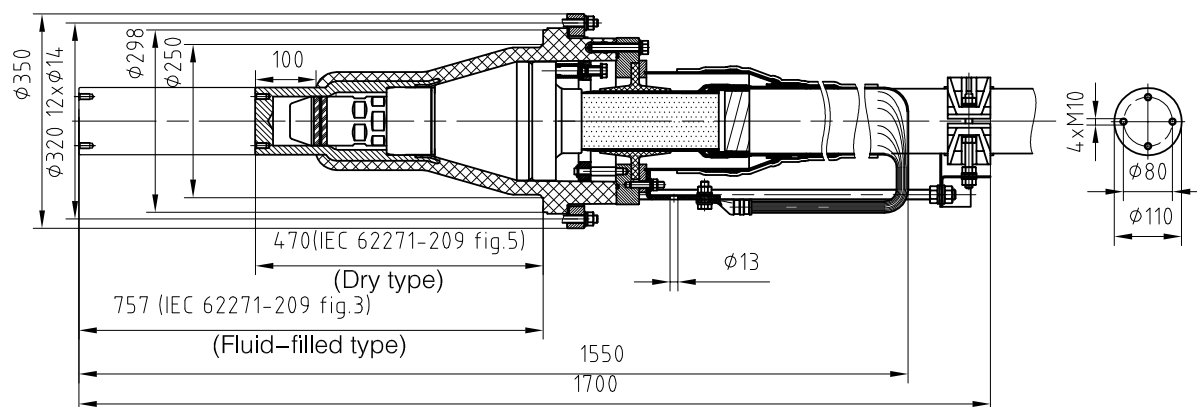
**MBB
126/145/170 A**

**MBB
126/145/170 B**

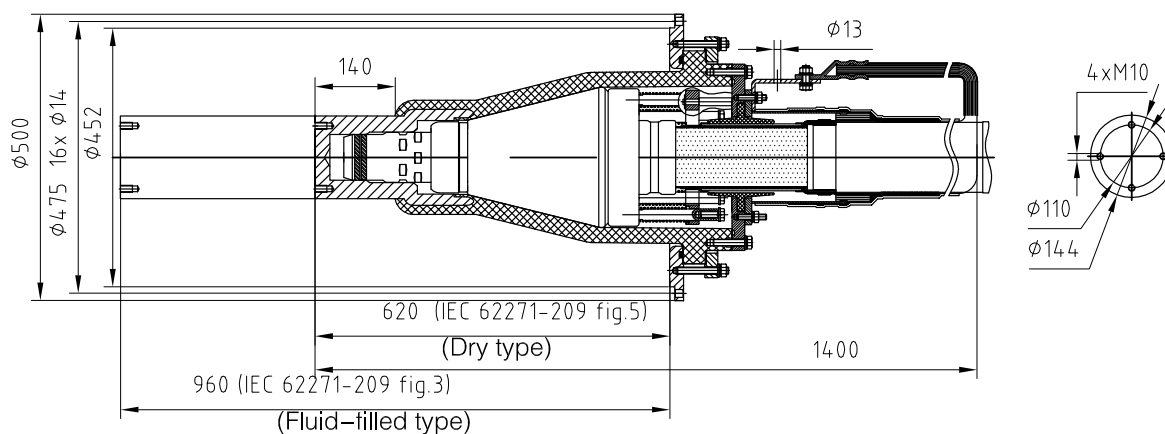
MBB 252

Approximate weight	kg	50	54	96
Length	mm	1200	1200	1700

MBB 126 / 145 / 170



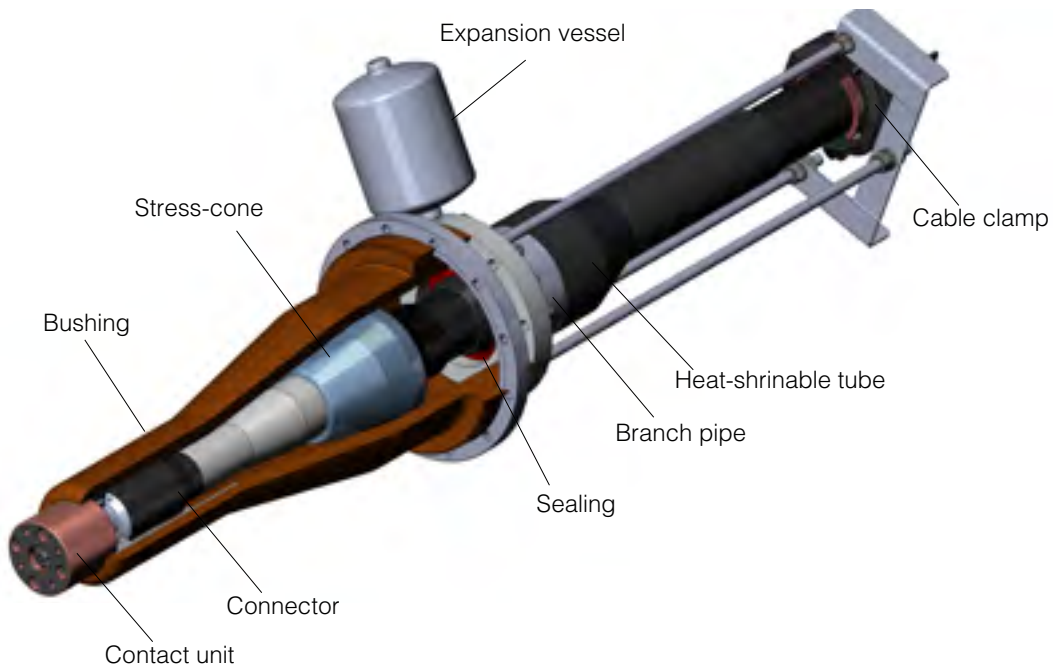
MBB 252



GIS terminations

MBBM 126 / 145 / 170

Arkasil oil-filled GIS terminations are used for cable lines connection to gas-insulated switchgears and transformers. GIS oil-filled terminations are used for indoor installation for XLPE cables 64/110, 76/132, 87/150 kV (conductor cross-section 185-2500 mm²). GIS oil-filled terminations can be produced for XLPE cable with optical fibers in screen. All types of GIS oil-filled terminations are made in accordance with IEC 62271-209.



Labeling of fluid filled GIS termination MBBM

MBBM 126 - Cu 1000 / 185 - M O X B H

- Types of GIS fluid filled cable terminations:
- T- transformer cable termination
 - M- welding connection between conductor and termination connector
 - B- screwed cable connector
 - O- GIS fluid filled cable termination has optical fiber output
 - X- GIS fluid filled cable termination without expansion vessel set
 - H- termination for armored cable

35...400- Cu screen cross-section
(Al 35...400 - Al screen cross-section
Pb - Lead sheath)

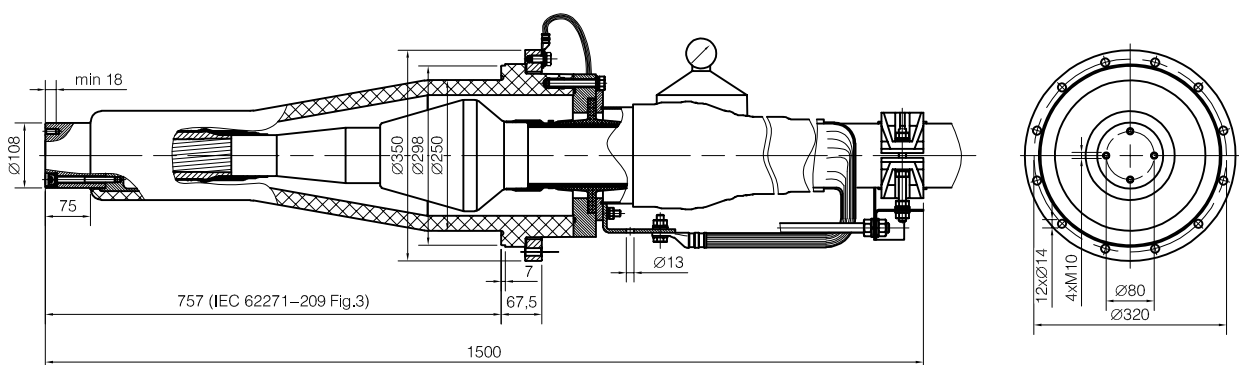
M - Solid rod conductor

185...2500 - Conductor cross-section

Cu, Al - Conductor material

126, 145, 170- Maximum system voltage

MBBM - GIS fluid filled cable termination



Area of application

Type		MBBM 126	MBBM 145	MBBM 170
Maximum system voltage	kV	126	145	170
Maximum cable diameter	mm	125	125	125
Cable conductor cross-section range	mm ²	185÷2500	185÷2500	185÷2500
Cable insulation diameter	mm	45-95	45-95	45-95

Technical data

Electrical parameters		MBBM 126	MBBM 145	MBBM 170
Maximum system voltage	kV	126	145	170
AC voltage withstand test	kV	160 kV for 30 min	190 kV for 30 min	218 kV for 30 min
Impulse voltage (10+/10- impulses)	kV	550	650	750
Partial discharges	kV	<5 pC at 96 kV	<5 pC at 114 kV	<5 pC at 131 kV

Climatic characteristics		MBBM 126	MBBM 145	MBBM 170
Operation temperature		-45 +50°C	-45 +50°C	-45 +50°C

Current load rating

Rated operational current	limited by cable specification
Short circuit current	limited by cable specification

Stress cone routine tests		MBBM 126	MBBM 145	MBBM 170
Maximum system voltage		126 kV	145 kV	170 kV
AC voltage withstand test		160 kV for 30 min	190 kV for 30 min	218 kV for 30 min
Partial discharges		<5 pC at 96 kV	<5 pC at 114 kV	<5 pC at 131 kV

Mechanical characteristics		MBBM 126	MBBM 145	MBBM 170
Approximate net weight	kg	90	90	90
Length	mm	1500	1500	1500