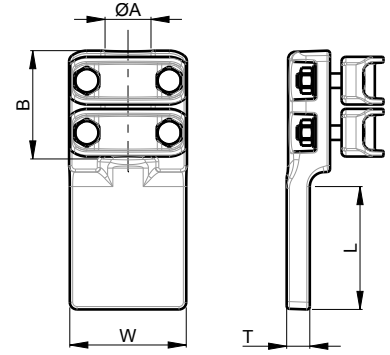


JA01

CABLE - PAD



UP TO
230kV

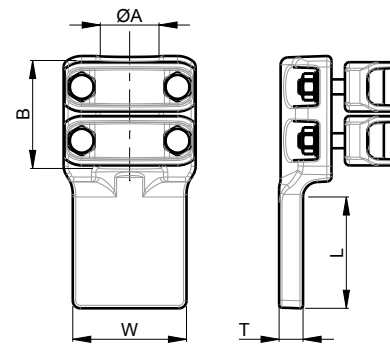
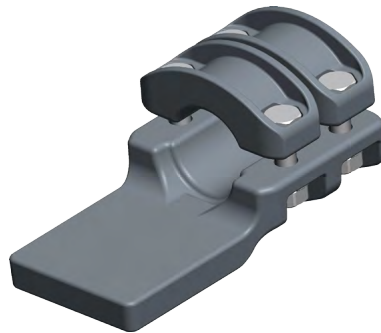
BIMET
CUPAL or TIN



PART NUMBER	A	COVERS A	B	L	W	T	BOLTS A	CURRENT [A]
JA.01.010	16,0 - 21,6	2	66	76	76	16	M8	750
JA.01.020	16,0 - 21,6	2	66	100	100	16	M8	750
JA.01.030	16,0 - 21,6	2	66	125	125	16	M8	750
JA.01.050	21,6 - 29,6	2	74	76	76	16	M10	1000
JA.01.060	21,6 - 29,6	2	74	100	100	16	M10	1000
JA.01.070	21,6 - 29,6	2	74	125	125	16	M10	1000
JA.01.090	29,6 - 37,6	2	74	76	76	16	M10	1250
JA.01.100	29,6 - 37,6	2	74	100	100	16	M10	1250
JA.01.110	29,6 - 37,6	2	74	125	125	16	M10	1250

JA02

STUD - PAD



UP TO
230kV

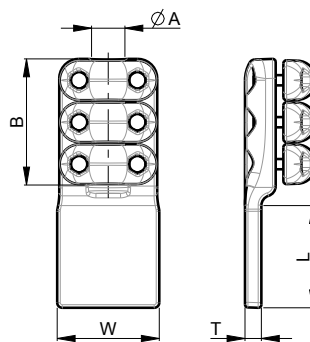
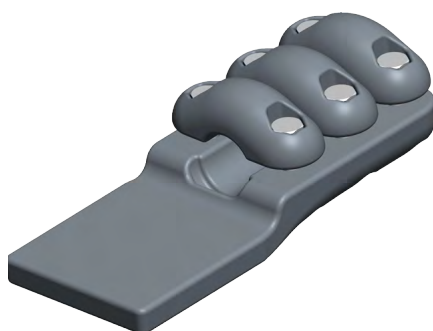
BIMET
CUPAL or TIN



PART NUMBER	A	COVERS A	B	L	W	T	BOLTS A	CURRENT [A]
JA.02.010	30	2	74	76	76	16	M10	1000
JA.02.020	30	2	74	100	100	16	M10	1000
JA.02.020	30	2	74	125	125	16	M10	1000
JA.02.050	40	2	74	76	76	16	M10	1200
JA.02.060	40	2	74	100	100	16	M10	1600
JA.02.070	40	2	74	125	125	16	M10	1600
JA.02.090	50	2	80	76	76	16	M12	1200
JA.02.100	50	2	80	100	100	16	M12	1600
JA.02.110	50	2	80	125	125	16	M12	1600

SA01

STUD - CABLE



UP TO
400kV

BIMET
CUPAL or TIN

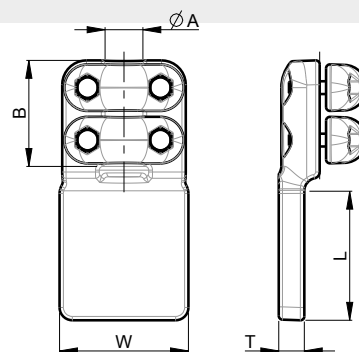
A2-70

PAD

PART NUMBER	A	COVERS	B	L	W	T	BOLTS A	CURRENT [A]
SA.01.010	16 - 24	2	72	76	76	16	M8	800
SA.01.020	16 - 24	2	72	100	100	16	M8	800
SA.01.030	16 - 24	2	72	125	125	16	M8	800
SA.01.040	16 - 24	2	72	100	200	16	M8	800
SA.01.050	24 - 33	3	123	76	76	16	M10	1250
SA.01.060	24 - 33	3	123	100	100	16	M10	1600
SA.01.070	24 - 33	3	123	125	125	16	M10	1600
SA.01.080	24 - 33	3	123	100	200	16	M10	1600
SA.01.090	33 - 45	3	123	76	76	16	M10	1250
SA.01.100	33 - 45	3	123	100	100	20	M10	2000
SA.01.110	33 - 45	3	123	125	125	16	M10	2000
SA.01.120	33 - 45	3	123	100	200	16	M10	2000
SA.01.130	45 - 50	3	123	76	76	20	M10	1500
SA.01.140	45 - 50	3	123	100	100	20	M10	2000
SA.01.150	45 - 50	3	123	125	125	16	M10	2000
SA.01.160	45 - 50	3	123	100	200	16	M10	2000

SA03

STUD - PAD



UP TO
400kV

BIMET
CUPAL or TIN

A2-70

PAD

PART NUMBER	A	COVERS	B	L	W	T	BOLTS A	CURRENT [A]
SA.03.010	30	2	82	76	76	16	M10	1000
SA.03.020	30	2	82	100	100	16	M10	1000
SA.03.030	30	2	82	125	125	16	M10	1000
SA.03.040	30	2	82	100	200	16	M10	1000
SA.03.050	40	2	82	76	76	20	M10	1600
SA.03.060	40	2	82	100	100	16	M10	1600
SA.03.070	40	2	82	125	125	16	M10	1600
SA.03.080	40	2	82	100	200	16	M10	1600
SA.03.090	50	2	92	76	76	20	M12	1600
SA.03.100	50	2	92	100	100	25	M12	2500
SA.03.110	50	2	92	125	125	20	M12	2500
SA.03.120	50	2	92	100	200	16	M12	2500
SA.03.130	60	2	92	76	76	20	M12	1600
SA.03.140	60	2	92	100	100	30	M12	3200
SA.03.150	60	2	92	125	125	25	M12	3200
SA.03.160	60	2	92	100	200	16	M12	3200

SA02

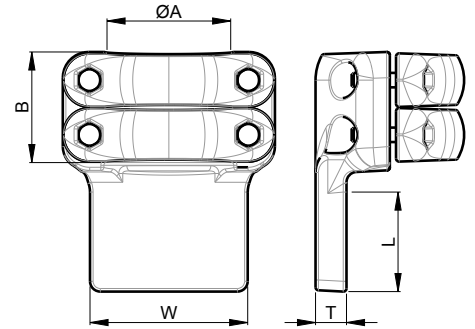
TUBE - PAD

UP TO
400kV

BIMET
CUPAL or TIN

A2-70

PAD



PART NUMBER	A	COVERS A	B	L	W	T	BOLTS A	CURRENT [A]
SA.02.010	50 - 60	2	92	100	100	20	M12	2000
SA.02.020	50 - 60	2	92	125	125	16	M12	2000
SA.02.030	50 - 60	2	92	100	200	16	M12	2000
SA.02.040	70 - 80	2	92	100	100	25	M12	2500
SA.02.050	70 - 80	2	92	125	125	20	M12	2500
SA.02.060	70 - 80	2	92	100	200	16	M12	3200
SA.02.070	90 - 100	2	92	100	100	30	M12	3200
SA.02.080	90 - 100	2	92	125	125	25	M12	3200
SA.02.090	90 - 100	2	92	100	200	16	M12	3200
SA.02.100	120	2	106	100	100	30	M14	3200
SA.02.110	120	2	106	125	125	35	M14	4000
SA.02.120	120	2	106	100	200	20	M14	4000
SA.02.130	140 - 150	2	106	100	100	30	M14	3200
SA.02.140	140 - 150	2	106	125	125	35	M14	4000
SA.02.150	140 - 150	2	106	100	200	20	M14	4000
SA.02.160	160-170	2	106	100	100	30	M14	3200
SA.02.170	160-170	2	106	125	125	35	M14	4000
SA.02.180	160-170	2	106	100	200	20	M14	4000
SA.02.190	200	2	174	100	100	35	M16	3600
SA.02.200	200	2	174	125	125	35	M16	4000
SA.02.210	200	2	174	100	200	20	M16	4000
SA.02.220	250	2	174	100	100	35	M16	3600
SA.02.230	250	2	174	125	125	35	M16	4000
SA.02.240	250	2	174	100	200	20	M16	4000
SA.02.510	2"IPS (60,3mm)	2	92	100	100	20	M12	2000
SA.02.520	2"IPS (60,3mm)	2	92	125	125	16	M12	2000
SA.02.530	2"IPS (60,3mm)	2	92	100	200	16	M12	2000
SA.02.540	2,5"IPS (73mm)	2	92	100	100	20	M12	2000
SA.02.550	2,5"IPS (73mm)	2	92	125	125	16	M12	2000
SA.02.560	2,5"IPS (73mm)	2	92	100	200	16	M12	2000
SA.02.570	3"IPS (88,9mm)	2	92	100	100	25	M12	2500
SA.02.580	3"IPS (88,9mm)	2	92	125	125	20	M12	2500
SA.02.590	3"IPS (88,9mm)	2	92	100	200	16	M12	2500
SA.02.600	3,5"IPS (101,6mm)	2	92	100	100	30	M12	3200
SA.02.610	3,5"IPS (101,6mm)	2	92	125	125	25	M12	3200
SA.02.620	3,5"IPS (101,6mm)	2	92	100	200	16	M12	3200
SA.02.630	4"IPS (114,3mm)	2	106	100	100	30	M14	3200
SA.02.640	4"IPS (114,3mm)	2	106	125	125	25	M14	3200
SA.02.650	4"IPS (114,3mm)	2	106	100	200	16	M14	3200
SA.02.660	5"IPS (141,3mm)	2	106	100	100	30	M14	3200
SA.02.670	5"IPS (141,3mm)	2	106	125	125	35	M14	4000
SA.02.680	5"IPS (141,3mm)	2	106	100	200	20	M14	4000
SA.02.690	6"IPS (168,2mm)	2	106	100	100	30	M14	3200
SA.02.700	6"IPS (168,2mm)	2	106	125	125	35	M14	4000
SA.02.710	6"IPS (168,2mm)	2	106	100	200	20	M14	4000
SA.02.720	8"IPS (219mm)	2	116	100	100	30	M16	3200
SA.02.730	8"IPS (219mm)	2	116	125	125	35	M16	4000
SA.02.740	8"IPS (219mm)	2	116	100	200	20	M16	4000